

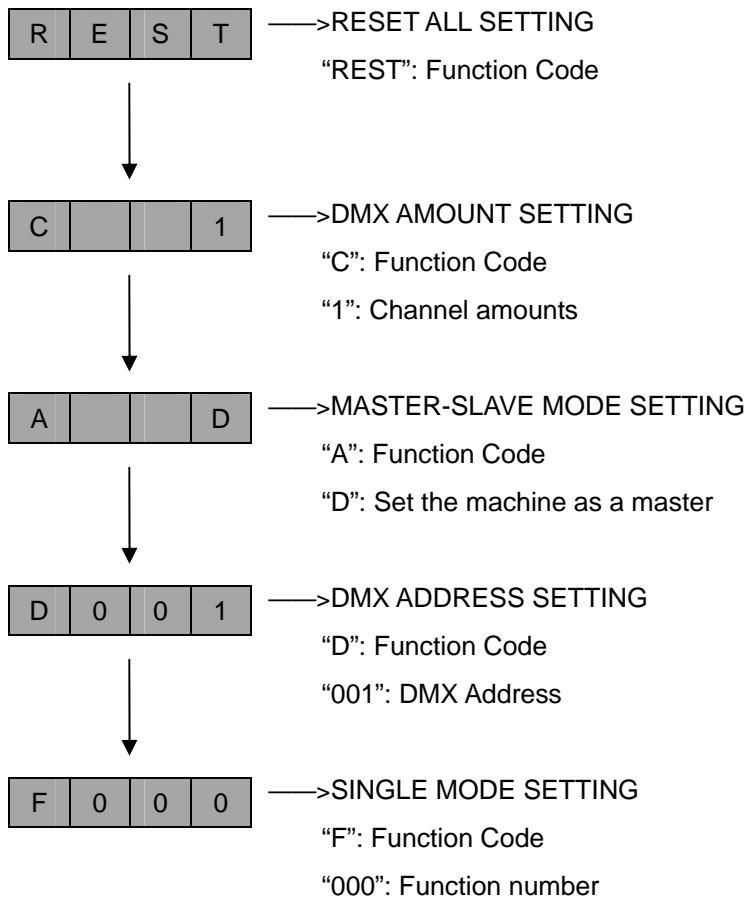
LED PAR
(DMX 512 16CH)

USER MANUAL

一、 Panel Control

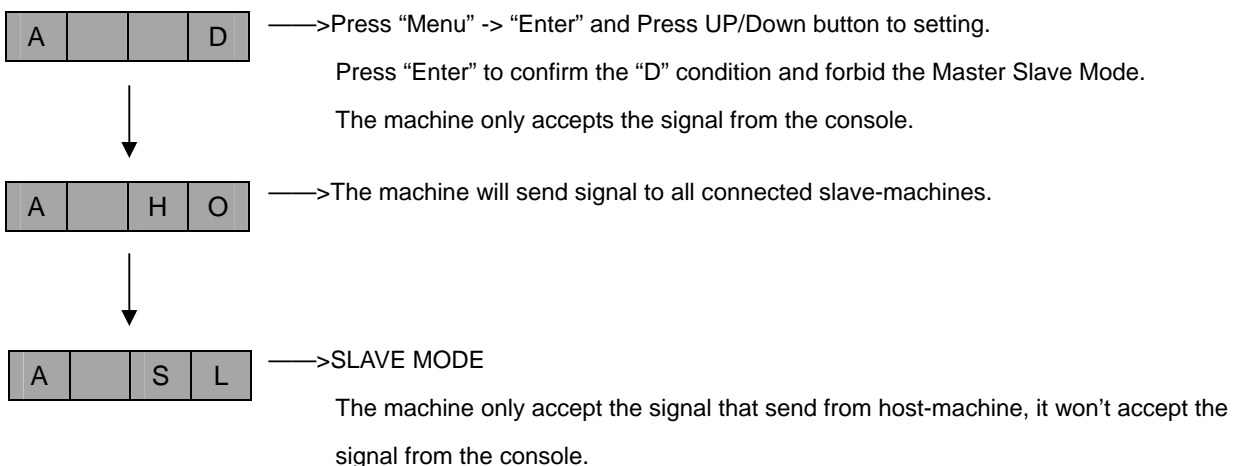
Master-Slave mode as "A D" "A SL" or "A HO", all of the settings are controlled by four buttons: " Menu, Up, Down and Enter".

1、 Press "Menu" to switch functions (five functions can be selected):



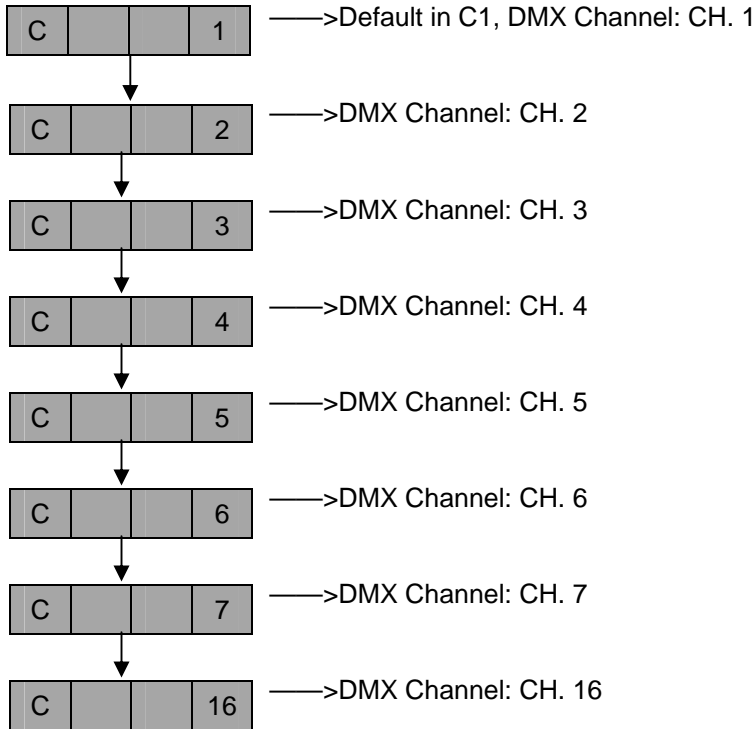
2、 Press the "MENU" then press the "ENTER" to begin your setting. Press "UP" and "DOWN" to switch the modes with the shining Function Code. Be sure to press the "ENTER" button to save your changing, it won't be saved if the button has not been pressed.

(1) MASTER SLAVE MODE SETTING

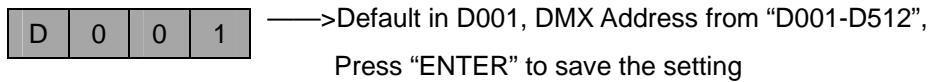


WHILE IN MASTER-SLAVE MODE, ONLY ONE HOST MACHINE CAN BE EXISTED, IF NOT, IT MAY CAUSE SIGNAL CONFLICTS.

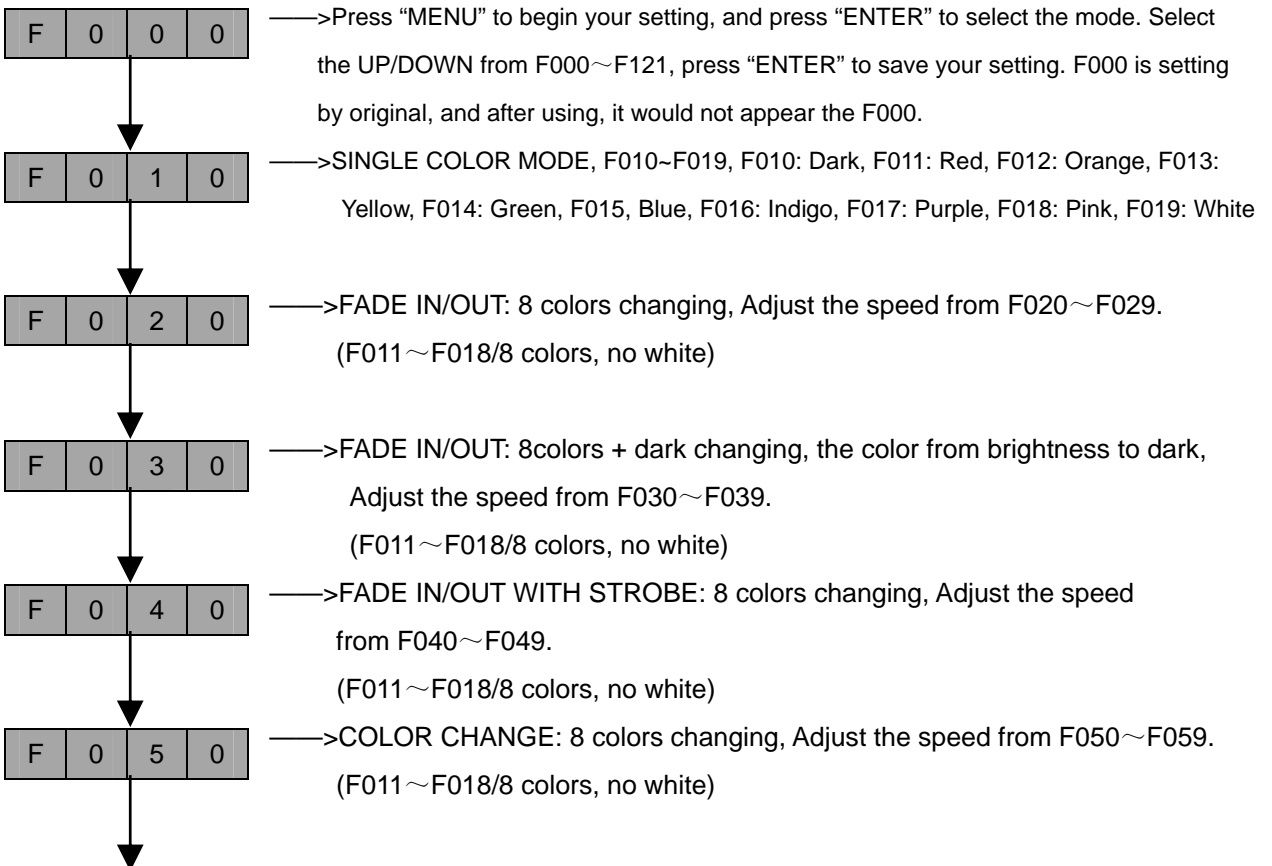
(2) DMX CHANNEL SETTING

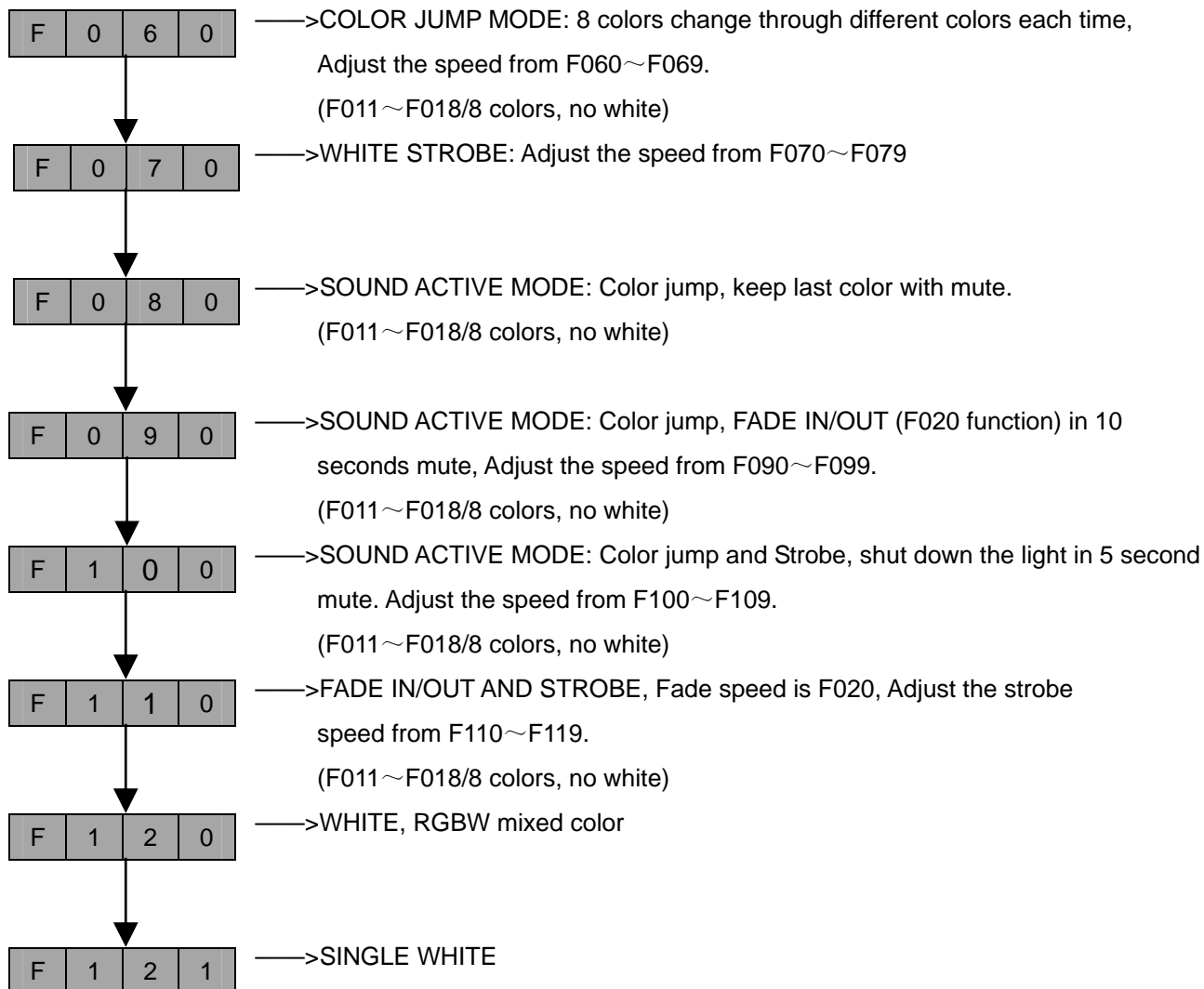


(3) DMX ADDRESS SETTING



(4) SINGLE MODE SETTING:





(5) RESET TO DFAULT

R E S T —>RESET TO DEFAULT: Press “ENTER” to reset all setting.

Default as following:

R E S T **C** **1**
A **D** **D 0 0 1** **F 0 0 0**

二、MASTER-SLAVE MODE:

Controlled by DMX512 console. The machine accepts DMX512 signals and DMX dimming signals in CH.6

1、CH.1:

DMX Channel	DMX Value	Specification
1. R、G、B、W Dimming	1~255	Brightness Adjustment 0%~100%

2、CH.2:

DMX Channel	DMX Value	Specification
1. R、G、B、W Dimming	1~255	Brightness Adjustment 0%~100%
2. STROBE	1~255	Speed Adjustment from slow to fast

3、CH.3:

DMX Channel	DMX Value	Specification
1. Turn on the light and R, G, B, W Dimming	1~255	Dimming and turn on the light, Color is adjusted by CH. 2, 3.
2. R、G、B Mixed White	1~255	Brightness Adjustment 0%~100%
3. Single White	1~255	Brightness Adjustment 0%~100%

4、CH.4:

DMX Channel	DMX Value	Specification
1. Red Dimming	1~255	Brightness of the Red LEDs
2. Green Dimming	1~255	Brightness of the Green LEDs
3. Blue Dimming	1~255	Brightness of the Blue LEDs
4. White Dimming	1~255	Brightness of the White LEDs

5、CH.5:

DMX Channel	DMX Value	Specification
1. Turn on the light and R, G, B, W Dimming	1~255	Dimming and turn on the light, Color is adjusted by CH.2, 3, 4, 5
2. Red Dimming	1~255	Brightness of the Red LEDs
3. Green Dimming	1~255	Brightness of the Green LEDs
4. Blue Dimming	1~255	Brightness of the Blue LEDs
5. White Dimming	1~255	Brightness of the White LEDs

6、 CH.6:

DMX Channel	DMX Value	Specification
1. Turn on the light and R, G, B, W Dimming	1~255	Dimming and turn on the light, Color is adjusted by CH.2, 3, 4, 5
2. Red Dimming	1~255	Brightness of the Red LEDs
3. Green Dimming	1~255	Brightness of the Green LEDs
4. Blue Dimming	1~255	Brightness of the Blue LEDs
5. White Dimming	1~255	Brightness of the White LEDs
6. STROBE	1~255	Speed Adjustment from slow to fast

7、 CH.7:

	DMX Value	Specification
Default Functions	0~70	CH.1 ~ CH.6 Functions
	71~80	FADE IN/OUT: 8 colors changing, Speed is adjusted by CH.6
	81~100	FADE IN/OUT: 8colors + dark changing, the color from brightness to dark, Speed is adjusted by CH.6
	101~120	FADE IN/OUT WITH STROBE: 8 colors changing, Speed is adjusted by CH.6
	121~140	COLOR CHANGE: 8 colors changing, Speed is adjusted by CH.6, Brightness is adjusted by CH.1
	141~160	COLOR JUMP MODE: 8 colors change through different colors each time, Speed is adjusted by CH.6, Brightness is adjusted by CH.1
	161~180	WHITE STROBE, Speed is adjusted by CH.6, Brightness is adjusted by CH.1
	181~200	SOUND ACTIVE MODE: Color jump, keep last color with mute, Brightness is adjusted by CH.1
	201~220	SOUND ACTIVE MODE: Color jump, FADE IN/OUT (F020 function) in 10 seconds mute, Speed is adjusted by CH.6
	221~240	SOUND ACTIVE MODE: Color jump and Strobe, shut down the light in 5 second mute, Speed is adjusted by CH.6, Brightness is adjusted by CH.1
	241~255	FADE IN/OUT AND STROBE, Strobe speed is adjusted by CH.6

8、 CH.16:

DMX Channel	DMX Value	Specification
1. Turn on the light and R, G, B, W Dimming	1~255	Dimming and turn on the light, Color is adjusted by CH.2, 3, 4, 5
2. Red Dimming	1~255	Brightness of the Red LEDs
3. Green Dimming	1~255	Brightness of the Green LEDs
4. Blue Dimming	1~255	Brightness of the Blue LEDs
5. White Dimming	1~255	Brightness of the White LEDs
6. STROBE	1~255	Speed Adjustment from slow to fast
7. FADE IN/OUT	1~255	8 colors changing, Speed is adjusted by CH.7
8. FADE IN/OUT + DARK	1~255	8colors + dark changing, the color from brightness to dark, Speed is adjusted by CH.8
9. COLOR JUMP MODE	1~255	8 colors change through different colors each time, Speed is adjusted by CH.9, Brightness is adjusted by CH.1
10. COLOR CHANGE	1~255	8 colors changing, Speed is adjusted by CH.10, Brightness is adjusted by CH.1
11. SOUND ACTIVE MODE	1~255	Color jump, FADE IN/OUT (F020 function) in 10 seconds mute, Speed is adjusted by CH.11
12. SOUND ACTIVE MODE	1~255	Color jump, keep last color with mute, Brightness is adjusted by CH.1
13. SOUND ACTIVE MODE	1~255	Color jump and Strobe, shut down the light in 5 second mute, Speed is adjusted by CH.13, Brightness is adjusted by CH.1
14. FADE IN/OUT & STROBE	1~255	STROBE speed is adjusted by CH.14
15. FADE IN/OUT & STROBE	1~255	FADE IN/OUT speed is adjusted by CH.15
16. WHITE STROBE	1~255	Strobe speed is adjusted by CH.16, Brightness is adjusted by CH.1